

Overview

GE Security fire alarm telephones are rugged communications devices for emergency use. Enclosed keylocked telephone stations comprise three separately ordered components: the handset assembly, the frontplate, and the wallbox. Handset assemblies feature supervised wiring and are available with either one-state or three-state (push-to-talk) operation. Frontplates are available with either metal or break glass inserts.

MEA approved warden stations feature doors with magnetic latches and one-state handsets with armoured cords. Warden stations mount to 6832-1 wallboxes.

Portable handsets plug into one-gang receptacles. Handsets are available in black or red. The TCS-6 cabinet provides storage for up to six handsets.

Application

Firefighters' telephones are typically installed in corridors, lobbies, mechanical rooms, stairways, or other strategic locations. When lifted from its cradle, or plugged into a suitable wall jack, the handset activates audible and visible signals at the control panel. There, the operator needs only to lift the handset off the cradle to respond to the current call. Other firefighters' telephones may be selected at the control panel to join the conversation.

TCS-6 Handset Storage Cabinet (handsets not included)



Fire Alarm Telephones

Standard Features



Floor Warden Station

- Magnetic latch
- Red powdercoat finish
- 28-inch armored cord
- Supervised wiring
- Flush or surface mount models
- Concealed Hinges



Frontplate - Break Glass

- Flush or surface mount models
- Red powdercoat finish
- Locking door, concealed hinges
- Break glass insert



Frontplate - Non-Break Glass

- Flush or surface mount models
- Red powdercoat finish
- Locking door, concealed hinges
- Metal insert



Wallbox

- Red powdercoat finish
- Flush or surface mount
- For use with 6831 series front plates
- Flush or surface mount



Handset Assembly

- Red ABS plastic handset
- 60 inch (1500 mm) coiled cord set
- Supervised wiring
- For use with 6831 series front plates

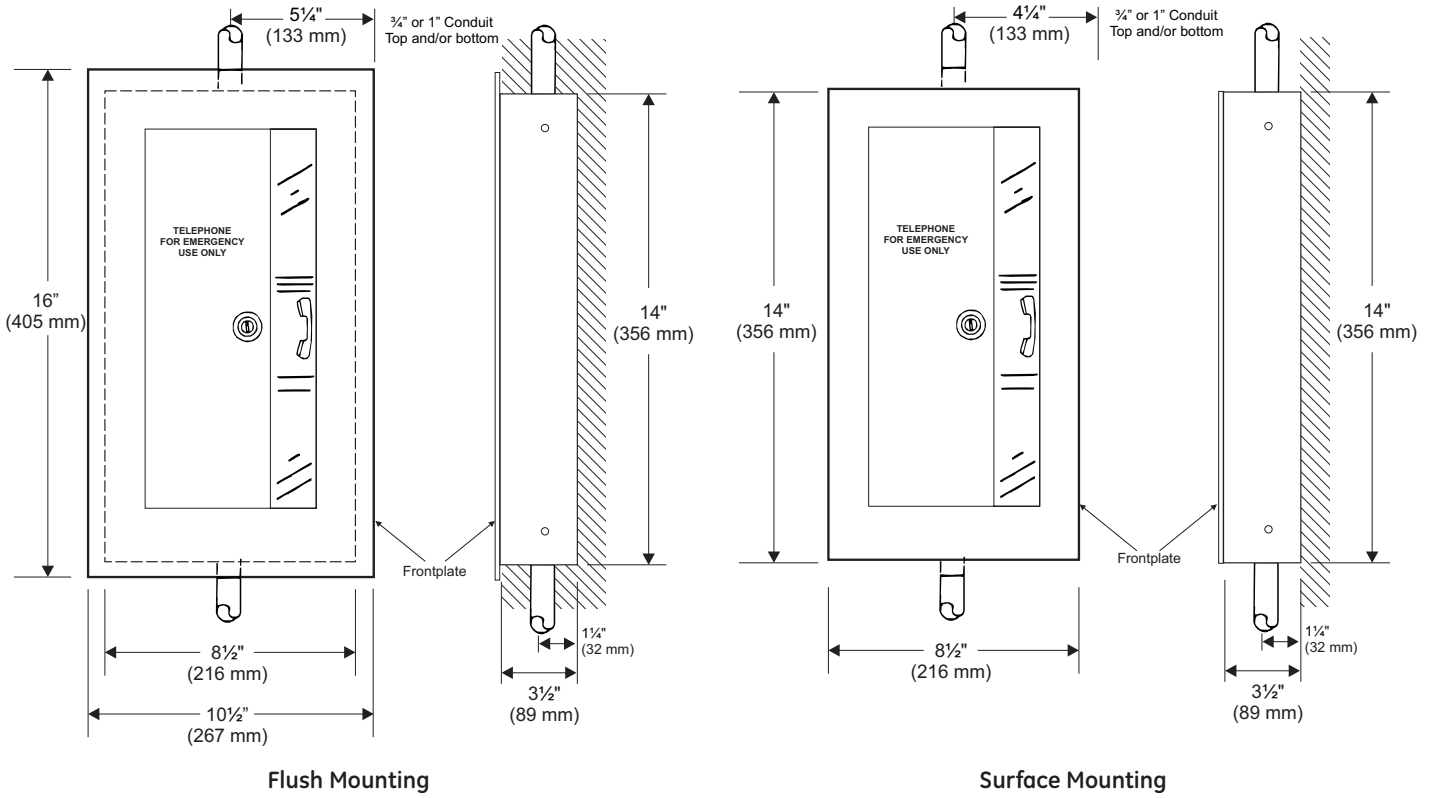


Portable Handsets and Receptacle

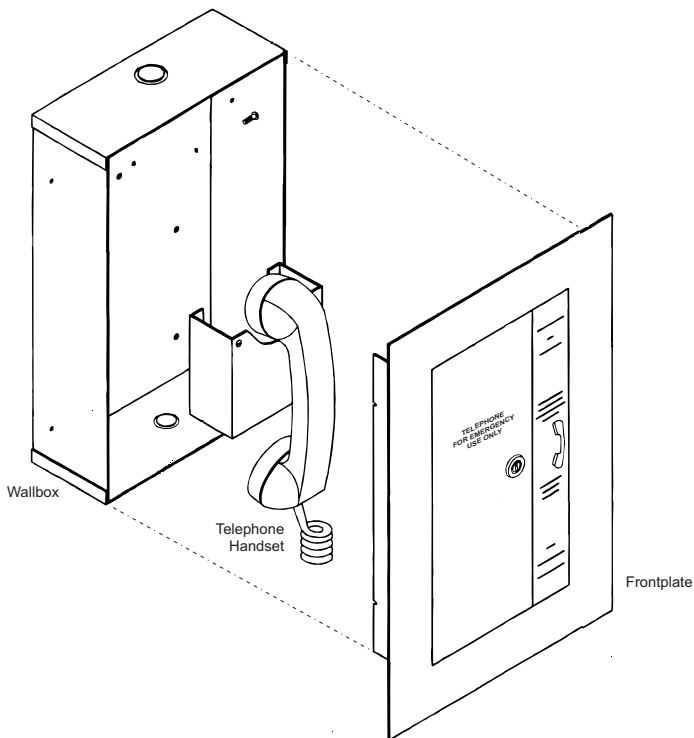
- Black or red ABS plastic handset
- 60 inch (1500 mm) coiled cord set
- Supervised wiring
- Stainless-steel one-gang faceplate
- Flush or surface mount receptacle



Mounting



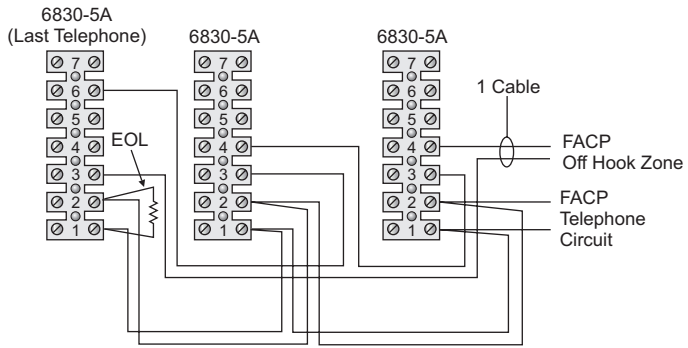
Assembly



GE Security recommends that these fire alarm communication devices always be installed in accordance with the latest recognized editions of national and local fire alarm codes.

Typical Wiring

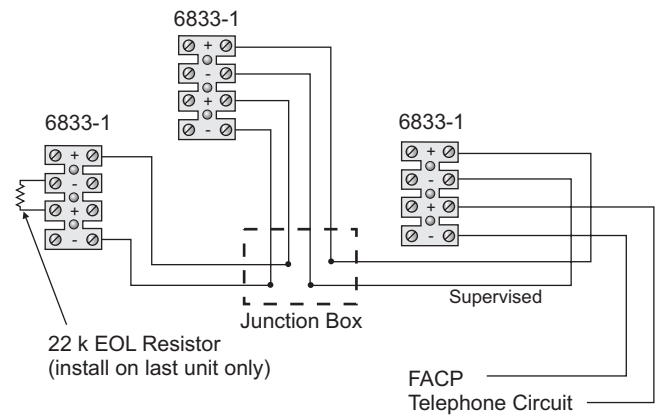
6830-5A Telephone Handset



Note: Use of "Off Hook" Terminals 3, 4, and 6 are for NFPA 72, 3-state operation (IRC-3 and FCC only).

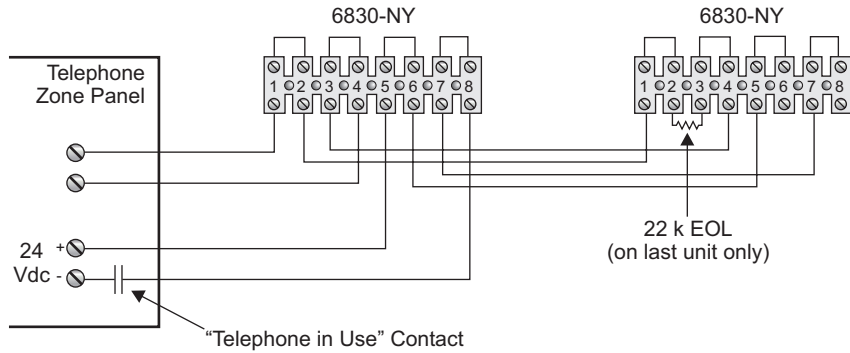
When using multiple handsets on a common telephone circuit, the Off Hook zone is to be wired in series using terminals 3 and 4 with the last handset wired using terminal 3 and 6 as illustrated.

6833-1 Portable Handset Receptacle



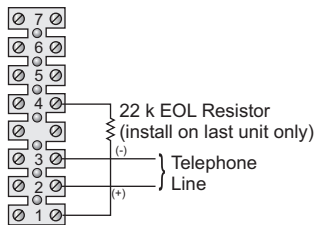
22 k EOL Resistor
(install on last unit only)

6830-NY Warden Station



22 k EOL
(on last unit only)

6830-1 Telephone Handset



22 k EOL Resistor
(install on last unit only)

Telephone Line

U.S.
T 888-378-2329
F 866-503-3996

Canada
T 519 376 2430
F 519 376 7258

Asia
T 852 2907 8108
F 852 2142 5063

Australia
T 61 3 9259 4700
F 61 3 9259 4799

Europe
T 32 2 725 11 20
F 32 2 721 86 13

Latin America
T 305 593 4301
F 305 593 4300

www.gesecurity.com

© 2006 General Electric Company
All Rights Reserved

Ordering Information

Catalog Number	Description	Listings	Shipping Weight
Warden Stations			
6830-NY-F	Remote Telephone Warden Station - Flush. Handset station for use with 6832-1 backbox. Hinged flush door with magnetic latch. Handset includes armored cord.	UL, MEA	12 lb (5.4kg)
6830-NY-S	Remote Telephone Warden Station - Surface. Handset station for use with 6832-1 backbox. Hinged surface door with magnetic latch. Handset includes armored cord.	UL, MEA	12 lb (5.4kg)
Fixed Telephone Handsets (order frontplates and wallboxes separately)			
6830-1	Telephone Handset Assembly - Red c/w 60" (1500mm) Coiled Cord.	UL, MEA, CSFM	6 lb (2.7kg)
6830-5A	Telephone Handset Assembly - Red, 60" (1500mm) Coiled Cord, 3-state operation, Push-to-talk button.	UL, MEA	6 lb (2.7kg)
6830-6A	Telephone Handset Assembly - Red, 60" (1500mm) Armored Cord, 3-state operation, Push-to-talk button.	UL, MEA	7 lb (3.1kg)
Portable Telephone Handsets			
6833-1	Portable Telephone Handset Receptacle 1-gang Stainless-steel Faceplate for use with 6830-3 or 6700-0061.	UL, MEA, CSFM	.22 lb (0.1kg)
6830-3	Portable Telephone Handset - Black c/w 60" (1500mm) Coiled Cord.	UL, MEA, CSFM	1.1 lb (0.5kg)
6700-0061	Portable Telephone Handset - Red c/w 60" (1500mm) Coiled Cord.	UL, MEA	1.1 lb (0.5kg)
Frontplates			
6831-1	Frontplate - Flush Mount, Red Finish, Break Glass Type c/w 2 keys. 16" (405 mm) H x 10-1/2" (267 mm) W.		1.32 lb (0.6kg)
6831-2	Frontplate - Flush Mount, Red Finish, Non-Break Glass Type c/w 2 keys. 16" (405 mm) H x 10-1/2" (267 mm) W.		1.32 lb (0.6kg)
6831-3	Frontplate - Surface Mount Red Finish, Break Glass Type c/w 2 keys. 14" (356 mm) H x 8-1/2" (216 mm) W.	See Note 1	1.1 lb (0.5kg)
6831-4	Frontplate - Surface Mounting Red Finish, Non-Break Glass Type c/w 2 keys. 14" (356 mm) H x 8-1/2" (216 mm) W.		1.1 lb (0.5kg)
P-025768-0008-0-901	Replacement Break Glass Insert - for use in 6831-1 and 6831-3.		1.1 lb (0.5kg)
Wallboxes			
6832-1	Wallbox - Flush or Surface mount, Red finish. 14" (356mm) H x 8-1/2" (216mm) W x 3 1/2" (89mm) D.	See Note 1	1.54 lb (0.7kg)
TCS-6	Portable handset storage cabinet. Surface mount c/w keylock. Red finish with white lettering: "Emergency Telephone Handsets". 15 1/2" (394 mm) H x 24-1/8" (613 mm) W x 4" (102) D.	N/A	12 lb (5.4kg)

Note 1: Agency listings for these components are included under the handset assemblies or warden stations they are installed with.



imagination at work