

Overview

The EST3 audio amplifiers take full advantage of digital technology. Digital messages generated by the Audio Source Unit (ASU) and live paging messages are multiplexed into eight separate channels transmitted over a single twisted pair of wires. Each zoned amplifier contains integrated de-multiplexing circuitry that allows any one of the eight digital audio channels to place messages or signals on the amplifier's built-in speaker circuit.

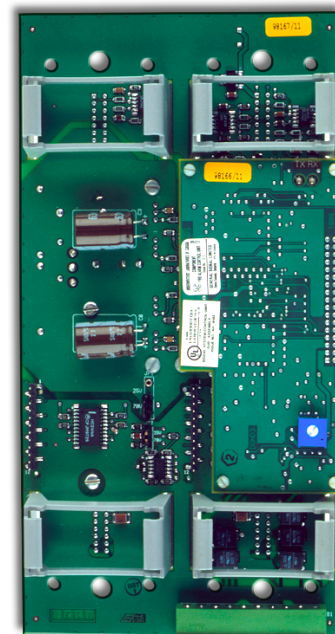
Audio channel selection is network software controlled, and audio amplifiers mount in the same enclosures as other EST3 equipment. Power for the amplifiers comes from standard system power supplies through the local rail. Field wiring connects to removable terminal blocks on the amplifier module. Amplifiers support either 25 V_{RMS} or 70 V_{RMS} power limited speaker circuits. For visual signaling, each 20 or 40 watt amplifier comes standard with one 24 Vdc power limited Notification Appliance Circuit that is ideal for strobe use.

Standard Features

- **Three Sizes Available**
 - 20 Watts
 - 40 Watts
 - 95 Watts
- **Simultaneous eight channel digital audio**
 - Superior sound quality
 - No signal interruptions during paging
- **Speaker circuit built into amplifier**
 - Selectable for 70 or 25 VRMS output
 - Class A (Style Z) or Class B (Style Y) output
 - Power limited
- **3.5 amp 24 Vdc notification appliance circuit on 20 and 40 watt amplifiers**
 - Ideal for strobe signals
 - Class A (Style Z) or Class B (Style Y) output
 - Power limited
- **Network software control of channel selection**
- **Integral backup tone generator**
 - 1 KHz temporal (3-3-3) tone evac
 - 1 KHz 20 PPM tone alert

Zoned Audio Amplifiers

3-ZA20A, 3-ZA20B, 3-ZA40A,
3-ZA40B, 3-ZA95

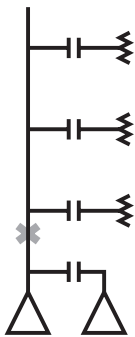


Application

EST3 zoned amplifier configurations offer improved system survivability and performance. Configuration provides improved survivability in the event of wiring faults that result in a loss of signaling. In the example shown in the diagram, a fault on the system using a central backed-up amplifier disables multiple signal/page circuits, and the standby amplifier is not able to bypass the fault. With EST3, the same fault removes the Audio Source Unit riser.

Central Amplifier

Short on Riser disables all circuits

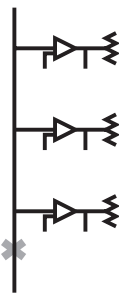


EST3 Zoned Amplifiers

Short on riser disables signal source

Standby Amplifiers are local in nodes

Standby Evacuation Tone at each Amplifier

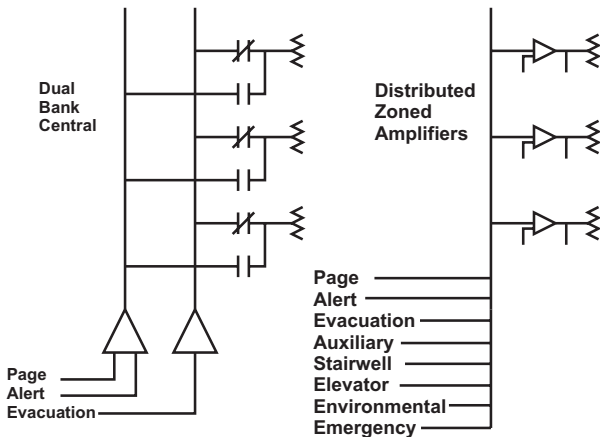


Because all EST3 zoned amplifiers have an integrated backup 1000 Hz temporal tone generator, the locally-generated alarm tones notify occupants of a hazard – even with the primary riser out of commission. The backup tone also operates if the ASU or the audio distribution system fails. To further enhance system survivability, a single standby amplifier can backup any zoned amplifier in the same cabinet.

Zoned amplifiers can be housed in remote cabinets close to the speakers. This minimizes the voltage drop between the amplifier and the load, and permits the use of a smaller wire size than is possible with centrally-located amplification systems.

EST3 easily outperforms banked audio systems with its ability to simultaneously deliver up to eight different signals. When using centrally-banked amplifiers, paging and alert channels typically share a common amplifier. Consequently, when paging, the alert signal goes silent in all alerted areas when a Page is issued. At the end of the Page, the alert signal resumes in the alert area, which could cause confusion because occupants did not receive the page message and do not know why the Page stopped and restarted.

With EST3, simultaneous page, alert, and evacuation signal capability is engineered into the system. With eight channels to choose from, dedicated messages can be delivered to stairwells, elevator cabs, etc. while alert, evacuation, and page instructions are simultaneously being sent to the rest of the building. The eight audio channels allow messages to be automatically routed, and provide specific instructions based on the alarm's location.



For example, with an alarm on Floor Eight, the following automatic message instructions could be given concurrently. **Note:** A Page could also be sent to any other location in the building – without interrupting any of the messages below.

FLOOR 9 HEARS: “A fire alarm has been reported on the floor below. Please evacuate using the stairwell.”

FLOOR 8 HEARS: “A fire alarm has been reported on this floor. Please evacuate using the stairwell.”

OTHER FLOORS HEAR: “An emergency has been reported on floor 8. Please remain in the building and await further instructions.”

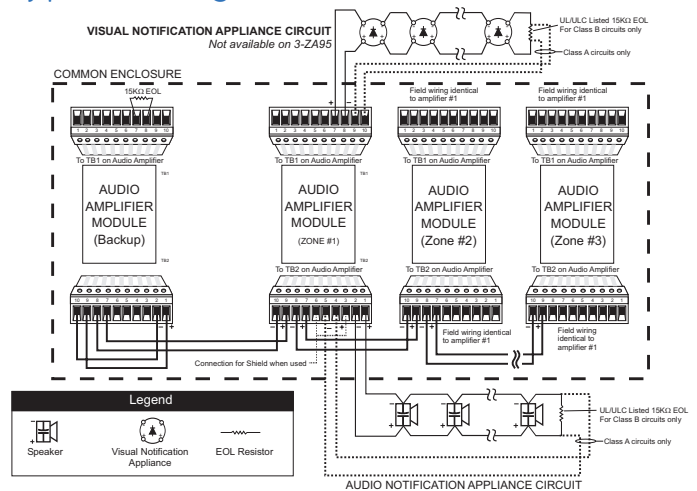
ELEVATOR: “A fire alarm has been reported in the building. The elevator is being returned to the ground floor for emergency use. Please evacuate the building.”

STAIRWELLS: “Please remain calm and walk down the stairs to evacuate the building in a safe manner.”

Engineering Specification

The audio system shall provide simultaneous page, alert, evacuation, elevator, stairwell and auxiliary signaling. Systems that cause signaling devices to go silent while performing any signaling functions will not be accepted. The Audio System shall provide 8 separate audio channels for simultaneous paging and signaling purposes. The audio system zoned amplifiers must be able to operate 25 V_{RMS} or 70 V_{RMS} speakers. The amplifier output must be power limited, and wired in a <Class A (Style Z)> <Class B (Style Y)> configuration. The amplifiers shall provide an integral backup 1000 KHZ temporal tone generator which shall operate in the event signal primary audio signals are lost and the amplifier is instructed to broadcast alarm information. It shall be possible to backup multiple zoned amplifiers with a common backup amplifier.

Typical Wiring



Specifications

	3-ZA20A	3-ZA20B	3-ZA40A	3-ZA40B	3-ZA95
Agency Listing	UL, ULC, CE				
Environmental	0°C - 49°C (32°F - 120°F) 93% RH, Non-condensing				
Frequency Response	400Hz to 4KHz @ +/- 3dB				
Output Voltage	25 VRMS or 70 VRMS				
THD (distortion)	< 7%				
Wire Size	18 to 12 AWG (1.0 to 2.5 mm ²)				
Internal Tone Generator	1KHz Temporal (3-3-3) Tone (evacuation); 20 PPM (alert)				
SIGA-CC1/2 Support	10 Units, Maximum				
Standby Current	75 mA				
Alarm Current	1250 mA	1250 mA	2300 mA	2300 mA	5240 mA
Pwr. Ltd. Audio Output Wiring Configuration EOL Resistor	Class A or B (Style Z or Y) 15K Ohms in Class B	Class B (Style Y) 15K Ohms	Class A or B (Style Z or Y) 15K Ohms in Class B	Class B (Style Y) 15K Ohms	Class A or B (Style Z or Y) 15K Ohms in Class B
Pwr. Ltd. 24 Vdc NAC Wiring Configuration	Class A or B (Style Z or Y)	Class B (Style Y)	Class A or B (Style Z or Y)	Class B (Style Y)	N/A
Line Resistance, Max.*	50 Ohms, Max.	50 Ohms, Max.	50 Ohms, Max.	50 Ohms, Max.	N/A
EOL Resistor Line Capacitance, Max	N/A	15 K Ohms	N/A	15K Ohms	
	0.33µF	0.33µF	0.33µF	0.33µF	
Space Requirements	1 LRM Space				2 LRM Spaces

Maximum Speaker Circuit Distance at 0.5 dB loss*

70 VRMS Output	3-ZA20A	3-ZA20B	3-ZA40A	3-ZA40B	3-ZA95
#12 AWG (3.2 Ohm/1000 ft pair)	4,536 ft (1,382 m)		2,268 ft (691 m)		955 ft (290 m)
#14 AWG (5.2 Ohm/1000 ft pair)	2,792 ft (850 m)		1,396 ft (425 m)		588 ft (179 m)
#16 AWG (8.0 Ohm/1000 ft pair)	1,815 ft (553 m)		907 ft (276 m)		382 ft (116 m)
#18 AWG (13 Ohm/1000 ft pair)	1,117 ft (340 m)		558 ft (170 m)		235 ft (71 m)

25 VRMS Output	3-ZA20A	3-ZA20B	3-ZA40A	3-ZA40B	3-ZA95
#12 AWG (3.2 Ohm/1000 ft pair)	579 ft (176 m)		289 ft (88 m)		122 ft (37 m)
#14 AWG (5.2 Ohm/1000 ft pair)	356 ft (108 m)		178 ft (54 m)		75 ft (22 m)
#16 AWG (8.0 Ohm/1000 ft pair)	231 ft (70 m)		116 ft (35 m)		49 ft (14 m)
#18 AWG (13 Ohm/1000 ft pair)	142 ft (43 m)		71 ft (21 m)		Not supported by 18 AWG

* Refer to product manual for wire run calculations.

Ordering Information

Catalog Number	Description	Ship Wt., lb. (kg)
3-ZA20A	20 Watt Zoned Amplifier w/Class A/B (Style Z/Y) Audio & Class A/B (Style Z/Y) 24 VDC outputs	1.55 (0.7)
3-ZA20B	20 Watt Zoned Amplifier w/Class B (Style Y) Audio & Class B (Style Y) 24 VDC outputs	1.55 (0.7)
3-ZA40A	40 Watt Zoned Amplifier w/Class A/B (Style Z/Y) Audio & Class A/B (Style Z/Y) 24 VDC outputs	1.55 (0.7)
3-ZA40B	40 Watt Zoned Amplifier w/Class B (Style Y) Audio & Class B (Style Y) 24 VDC outputs	1.55 (0.7)
3-ZA95	95 Watt Zoned Amplifier w/Class A/B (Style Z/Y) Audio output	3.0 (1.5)

GE Security

U.S.
T 888-378-2329
F 866-503-3996

Canada
T 519 376 2430
F 519 376 7258

Asia
T 852 2907 8108
F 852 2142 5063

Australia
T 61 3 9259 4700
F 61 3 9259 4799

Europe
T 32 2 725 11 20
F 32 2 721 86 13

Latin America
T 305 593 4301
F 305 593 4300

www.gesecurity.com

© 2006 General Electric Company
All Rights Reserved



imagination at work